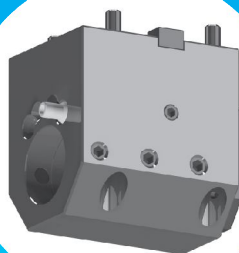
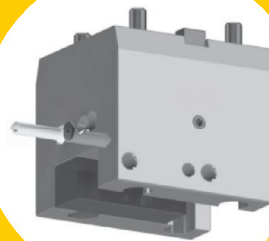
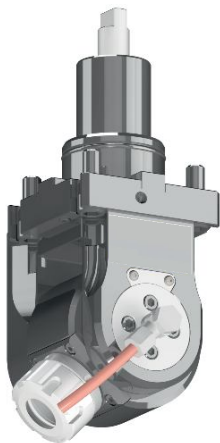
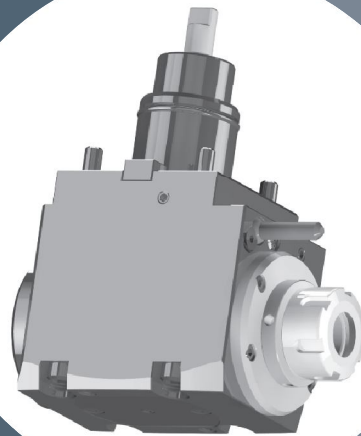
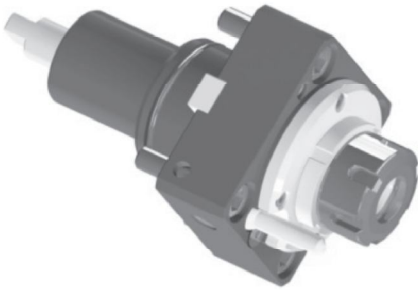


**EuroDrive**  
Made In Europe

**Live Tools Product Catalogue**





**EuroDrive** provides its customers high quality Driven Tools and Static Tools for CNC lathes and Machining Centres. We offer a complete range of Driven Tool Holders for all major machines including Haas, Doosan, Okuma, Mazak, Mori Seiki, Jyoti, BFW and LMW.

**EuroDrive** delivers products that meet the highest standards of Performance, Quality and Service. All our products are manufactured in Europe in a modern and state of the art production facility to the highest quality standards of ISO 9001.

**EuroDrive** develops and produces products to meet our customers high technical requirements and specifications. Our team of highly trained & skilled technicians and application engineers collaborate with our customers to develop unique solutions.

**EuroDrive** produces Tool Holders for CNC lathes with axial, radial and adjustable style for BMT, VDI and BOT Turrets. Static Tools are offered for Turning, Boring, Face Grooving, Cut Off and Bar Pulling operations.

**EuroDrive** heads can be serviced or sent in for periodic maintenance to any one of our Authorized Service Centres located in the markets we serve.

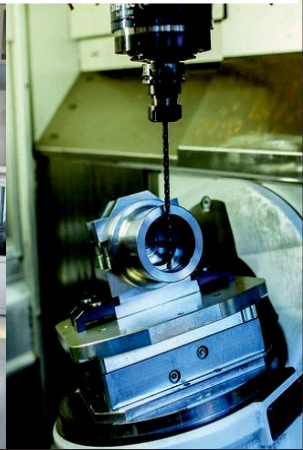
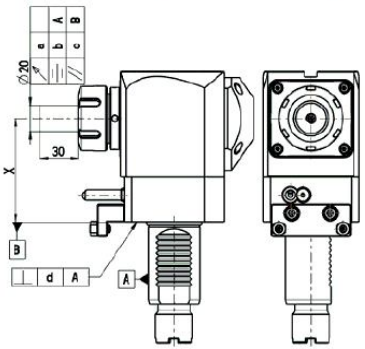




Management System  
ISO 9001:2015



	PART NAME :	RGT140251321180UD	April 17, 2019	12:13
	REV NUMBER :	SER NUMBER :	9002	STATS COUNT : 1



# CONTENTS

## Specifications

Ordering System .....	2
Tool Orientation .....	8

## BMT Turret Tools

BMT 45 Live .....	12
BMT 45 Static .....	14
BMT 55 Live .....	16
BMT Static .....	19
BMT 65 Live .....	21
BMT 65 Static .....	24
HASS BOT Static .....	26
BMT 44 Nakamura .....	31
BMT 55 Nakamura .....	36
BMT 65 Nakamura .....	41
BMT 60 OKUMA .....	45
BMT 60 Mori Seiki .....	51

## VDI Turret Tools

Sauter DIN 5482 .....	56
Sauter DIN 5480 .....	59
Diplomatic DIN 1809 .....	63
Baruffaldi / TOEM .....	67
HAAS Turret .....	71
OKUMA .....	76
VDI Static DIN 69880 .....	79


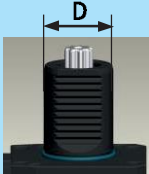















<b>Accessories</b> .....	85
--------------------------	----

<b>Operating instructions</b> .....	86
-------------------------------------	----




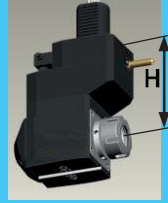


<b>Maintenance Data Sheet</b> .....	90
-------------------------------------	----



# LIVE TOOLHOLDER SYMBOLIZATION

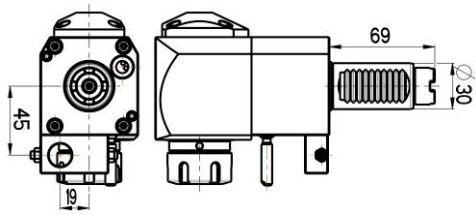
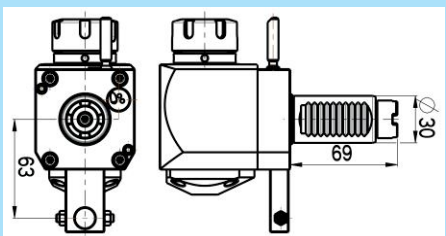
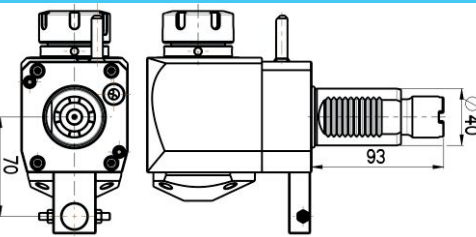
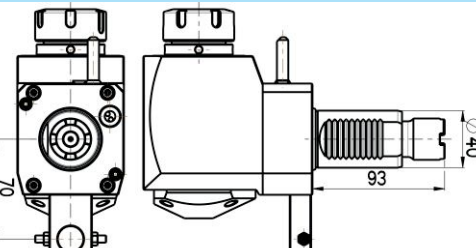
EDL	TURRET DATA		PRODUCT TYPE	COUPLING TYPE	TOOL GRIP	
	TYPE	D(mm)			TYPE	DIMENSION
EDL	<b>1</b>	<b>40</b>	<b>2</b>	<b>5</b>	<b>1</b>	<b>32</b>
	<b>1 - VDI</b> 		<b>1 - STRAIGHT</b>  <b>2 - ANGULAR</b> 	<b>1 - DIN 5482</b>  <b>2 - DIN 1809</b> 	<b>1 - COLLET</b> 	SIZE COLLET 16/25/ <b>32</b> /40
	<b>2 - BMT</b> 		<b>3 - OFFSET STRAIGHT</b>  <b>4 - OFFSET ANGULAR</b>  <b>5 - VARIABLE ANGLE</b> 	<b>3 - DIN 5480</b>  <b>4 - TOEM</b>  <b>5 - STEPPED</b> 	<b>2 - WELDON</b> 	WELDON upon request
					<b>3 - SHELL MILL ARBOR</b> 	SHELL MILL ARBOR upon request

Example: EDL1- 40/251-32/2.2-80A

INTERNAL COOLING	ONLY FOR ANGULAR OFFSET STRAIGHT OFFSET ANGULAR		DETAILS CODE
	DIRECTION	H (mm)	
<b>2</b>	<b>2</b>	<b>80</b>	<b>A</b>
<b>1 - NO</b> <b>2 - YES</b> (max 20 bar)	<b>1 - RIGHT</b> 	  	See details code table  Please check the pages no. 3-4
	<b>2 - LEFT</b> 		
	<b>3 - RIGHT&amp;LEFT</b> 		

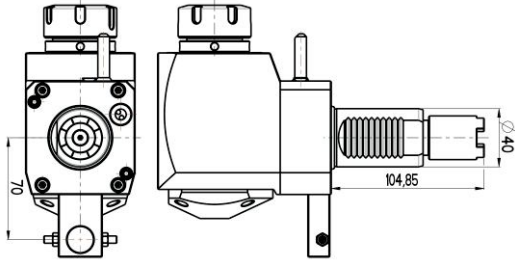
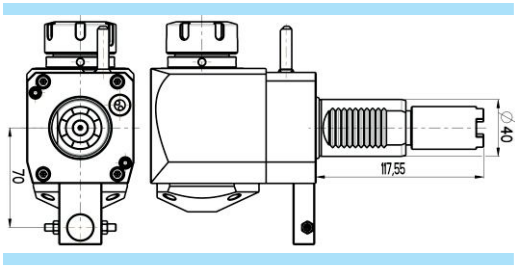
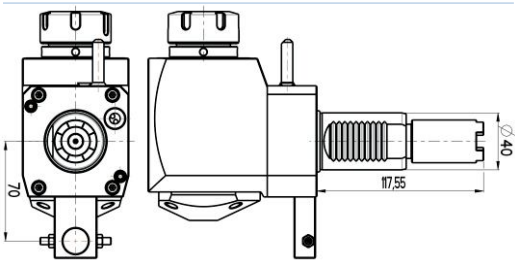
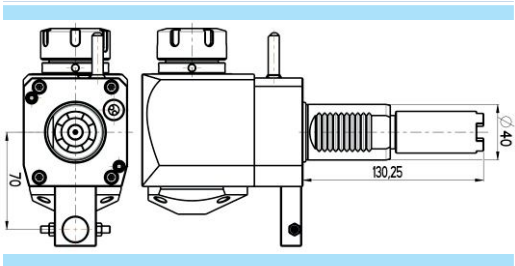
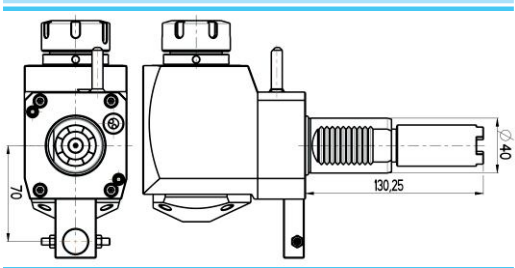


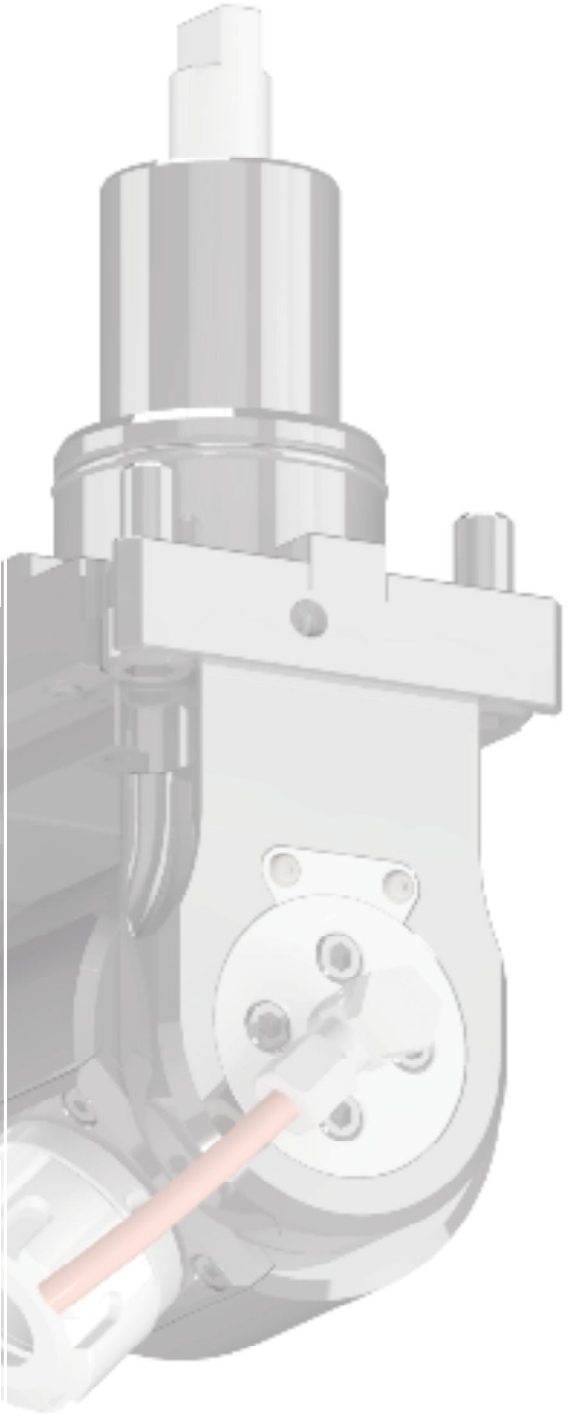
Details code		Technical details		Details code		Technical details	
JB	VDI40 OKUMA			C	VDI30 DIN1809		
JC	VDI40 OKUMA			D	VDI30 DIN1809		
JD	VDI40 OKUMA			S	VDI40 (short)		
JE	VDI40 OKUMA			D	VDI40 TOEM		
B	VDI30 DIN1809			A	VDI40 HAAS		

Details code		Technical details	
(1:2)	Ratio 1:2	$n_1=6000\text{r/min (in)}$ $n_2=12000\text{r/min (out)}$	
(2:1)	Ratio 2:1	$n_2=6000\text{r/min (in)}$ $n_1=3000\text{r/min (out)}$	
JA	VDI30 OKUMA		
JB	VDI30 OKUMA		
JA	VDI40 OKUMA		
JAS	VDI40 OKUMA same direction (in-out)		



Details code	Technical details		Details code	Technical details	
(JA) BMT60 OKUMA			(DO) BMT65 DOOSAN		
(JB) BMT60 OKUMA			(NT) BMT44 NAKAMURA -TOME		
(MS) BMT60 MORI-SEIKI			(NT) BMT55 NAKAMURA TOME		
(DO) BMT45 DOOSAN			(NT) BMT65 NAKAMURA -TOME		
(DO) BMT55 DOOSAN					

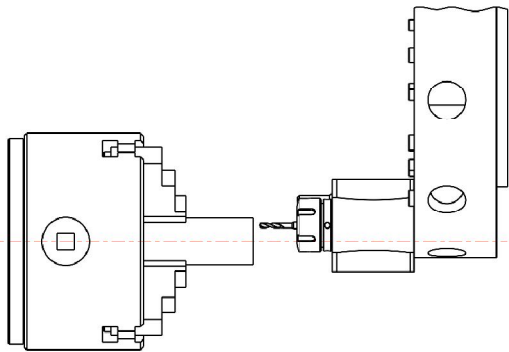
Details code	Technical details	
AS	VDI40 HAAS same direction (in-out)	
B	VDI40 HAAS	
BS	VDI40 HAAS same direction (in-out)	
C	VDI40 HAAS	
CS	VDI40 HAAS same direction (in-out)	



## DIN 5482 Operations with VDI Disk-type turret

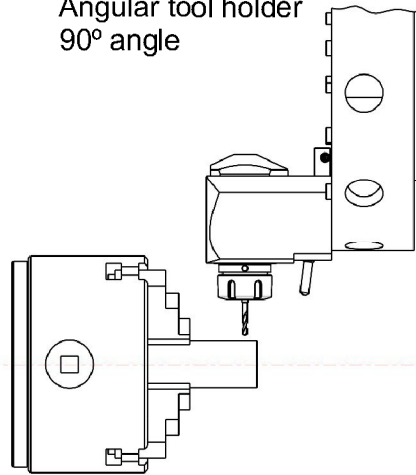
### Axial operation

Straight tool holder

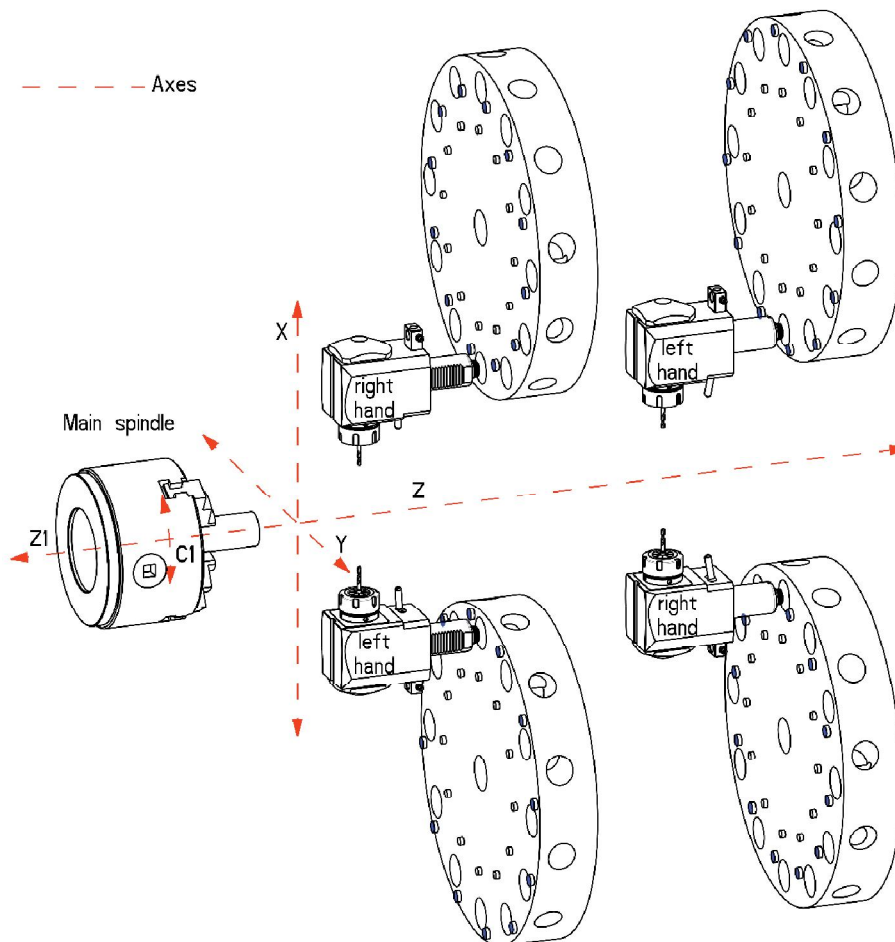


### Radial operation

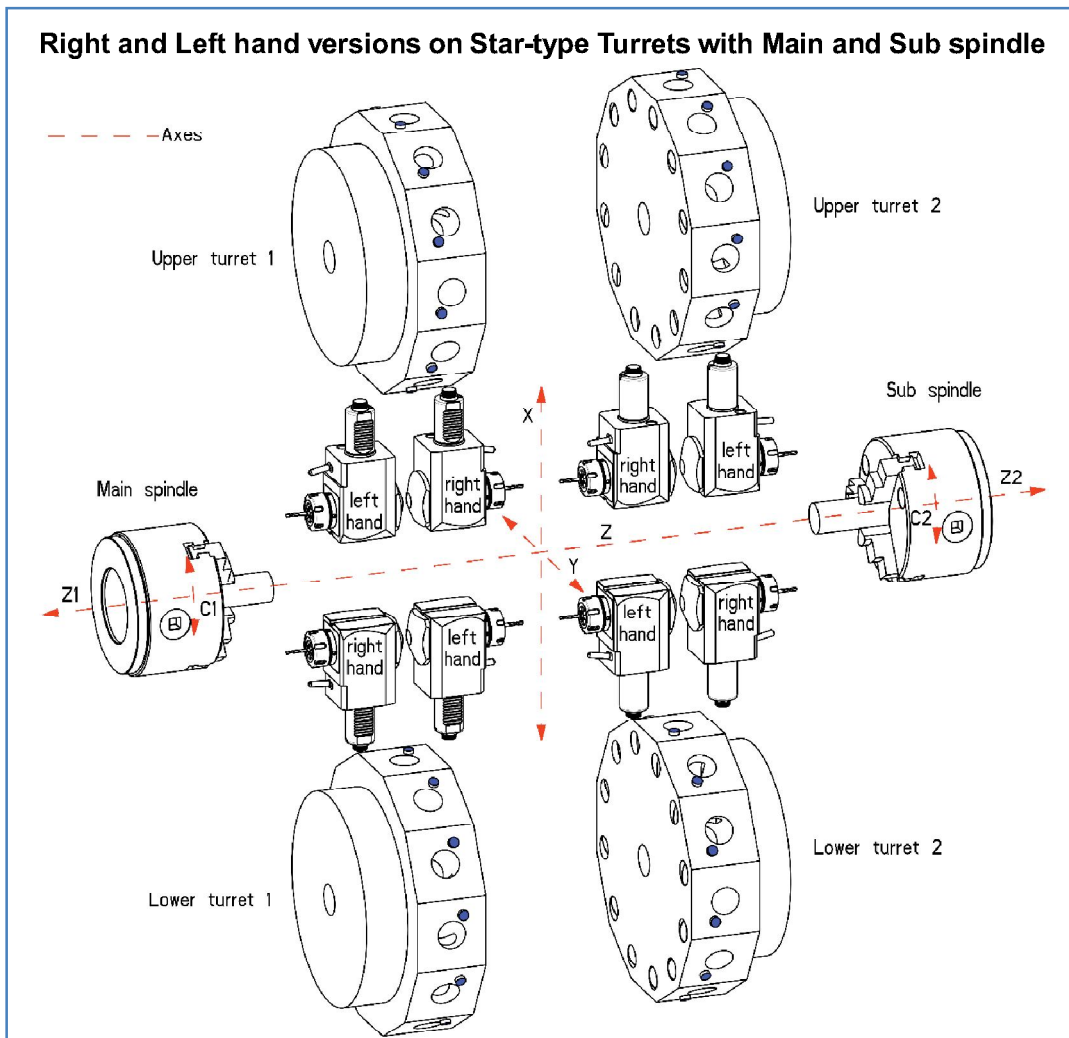
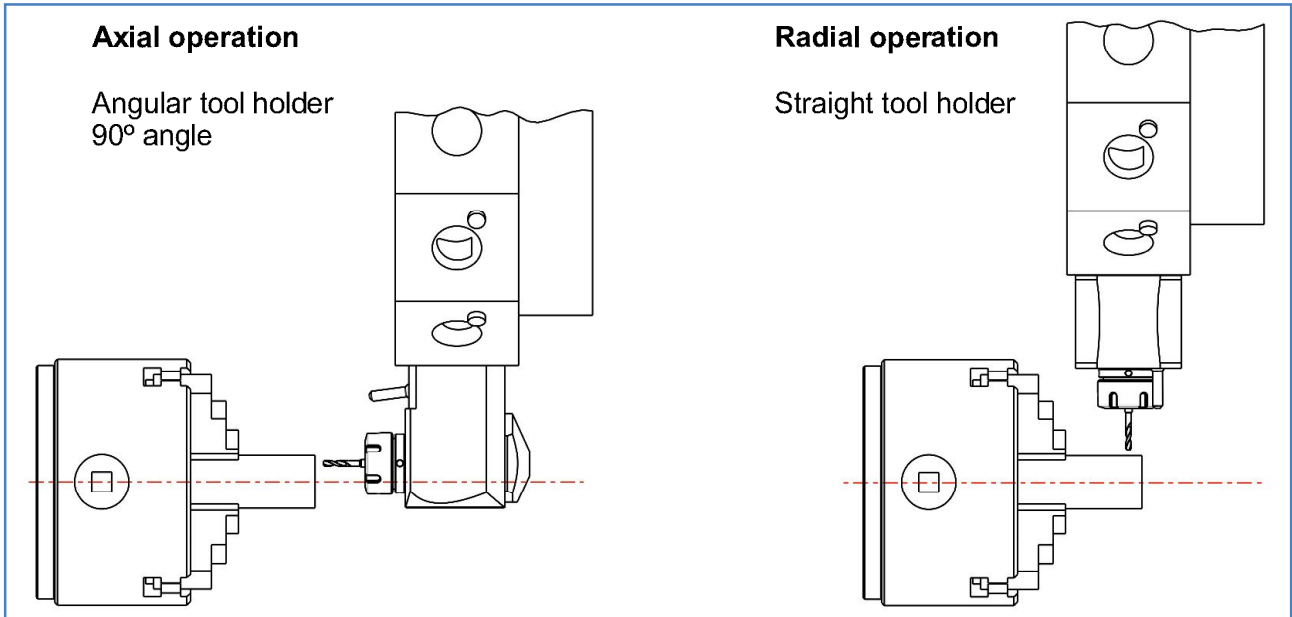
Angular tool holder  
90° angle



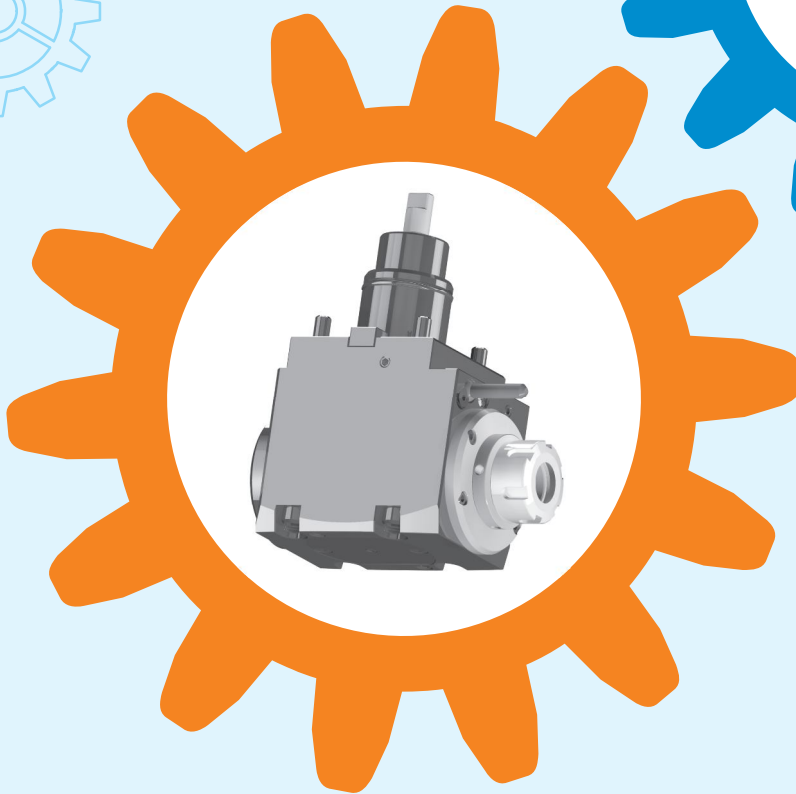
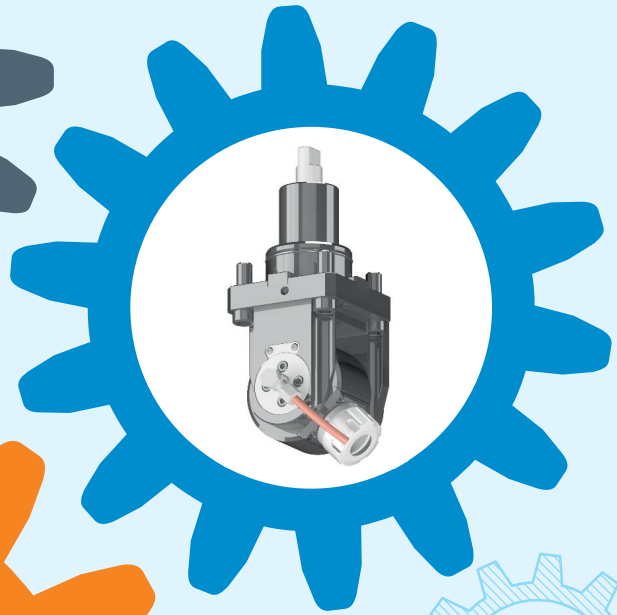
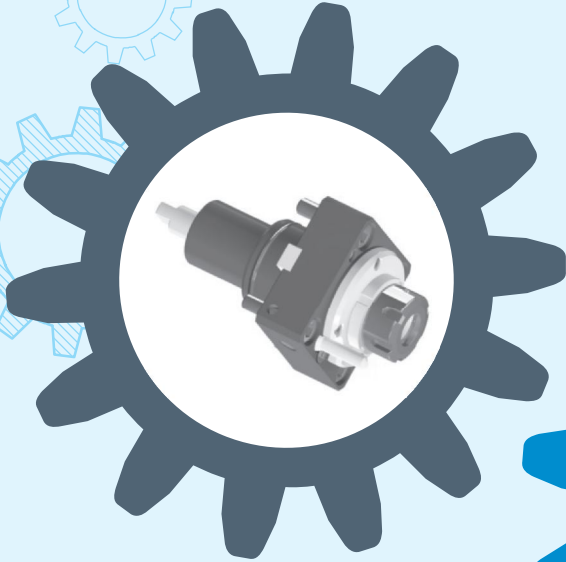
### Right and Left hand versions on Disk-type Turrets



## DIN 5480 Operations with VDI Star-type turret







# BMT TURRET TOOLHOLDERS

## Suitable for:

ACE

BFW

Biglia

DOOSAN

Gildemeister/ DMG MORI

HAAS

HAAS BMT & BOT

Hardinge

Hwacheon

HYUNDAI WIA

Jyoti

Leadwell

LMW

Mazak

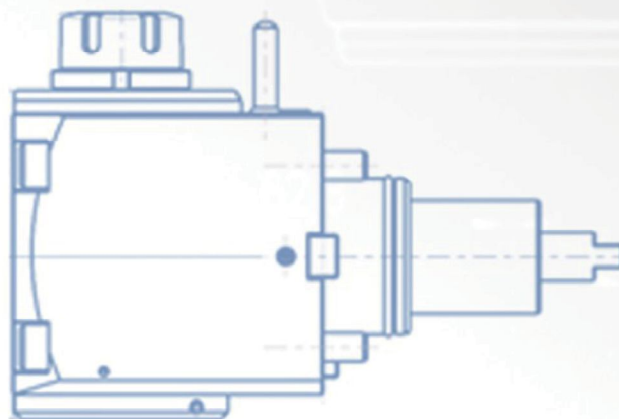
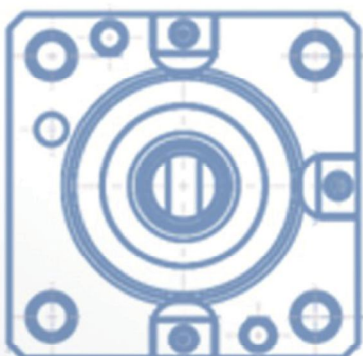
Mori Seiki

Muratec

Nakamura-Tome

OKUMA

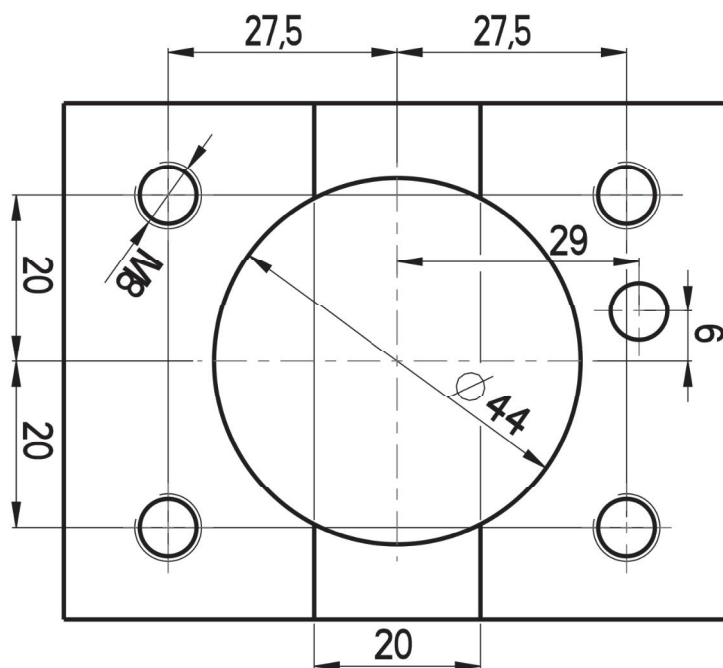
VICTOR



## NAKAMURA-TOME LIVE AND STATIC TOOLHOLDERS BMT44

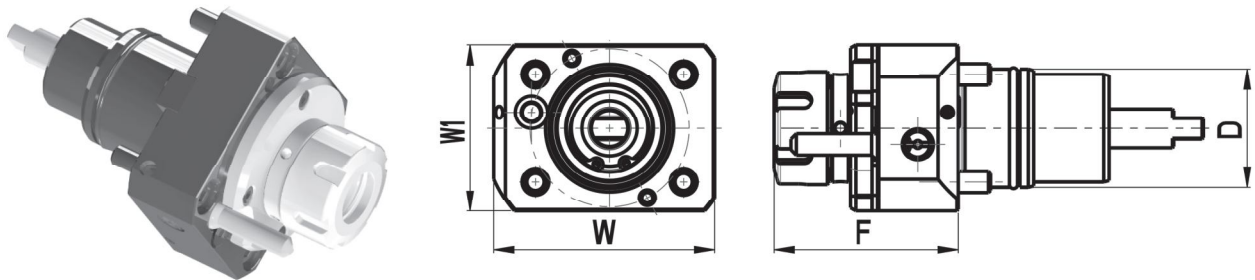
Nakamura-Tome	NTJ 200
	Super NTMX
	Super NTY3
	WT-100
	WY-100
Murata	Muratec MT100

## CONNECTION TURRET - NAKAMURA-TOME BMT44



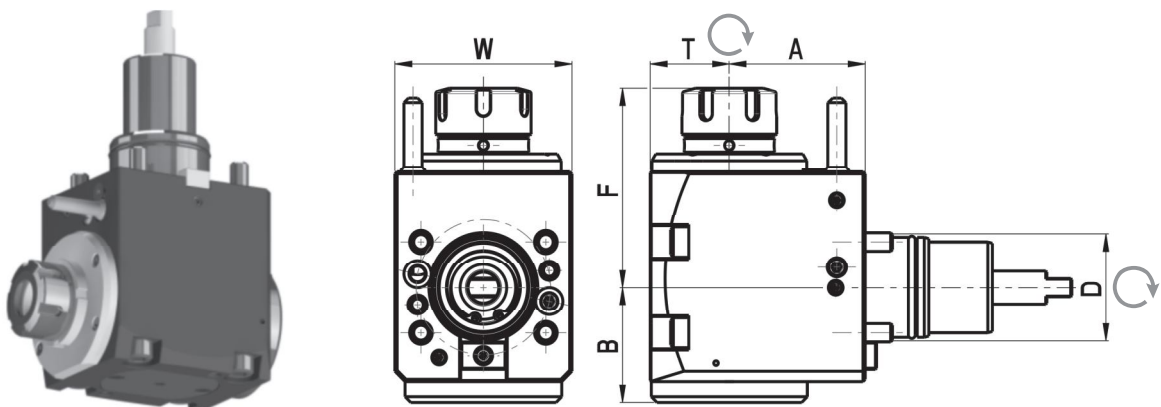
## NAKAMURA-TOME LIVE TOOLHOLDERS BMT44

### Straight BMT drilling and milling head



Code	D	Tool grip	Internal Cooling	F	W	W1	Torque [Nm]	Speed [rpm]	Ratio	P [bar]
EDL2-44/101-25/1(NT)	44	ER25	no	69	82	62	40	6000	1:1	-
EDL2-44/101-25/2(NT)	44	ER25	yes	69	82	62	40	6000	1:1	20

### Angular BMT drilling and milling head



Code	D	Tool grip	Internal Cooling	Direction	A	B	F	T	W	Torque [Nm]	Speed [rpm]	Ratio	P [bar]
EDL2-44/201-25/1.3-60(NT)	44	ER25	no	right/left	60	50	88	35	78	28	6000	1:1	-
EDL2-44/201-25/2.3-60(NT)	44	ER25	yes	right/left	60	50	88	35	78	28	6000	1:1	20

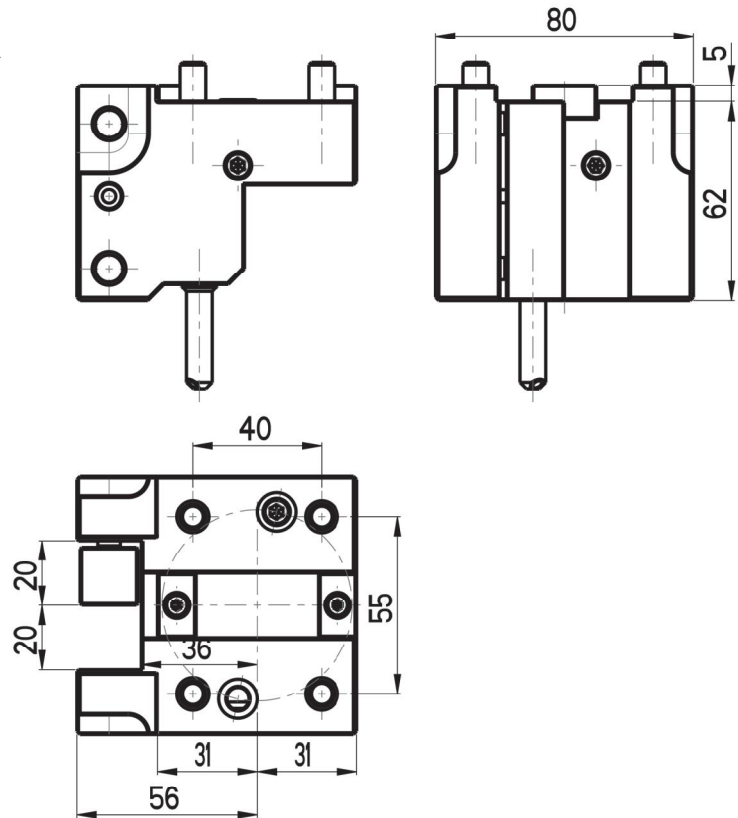
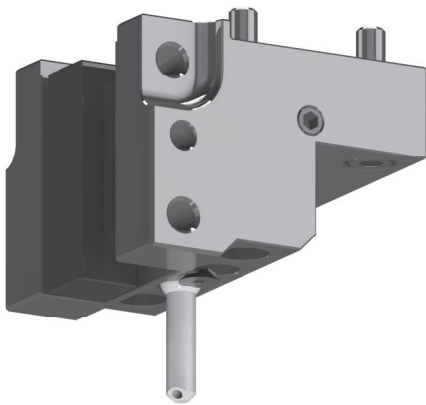
\* The straight, angular and variable toolholders can be equipped with Weldon shaft or shell-mill shaft upon request.



## NAKAMURA-TOME STATIC TOOLHOLDERS BMT44

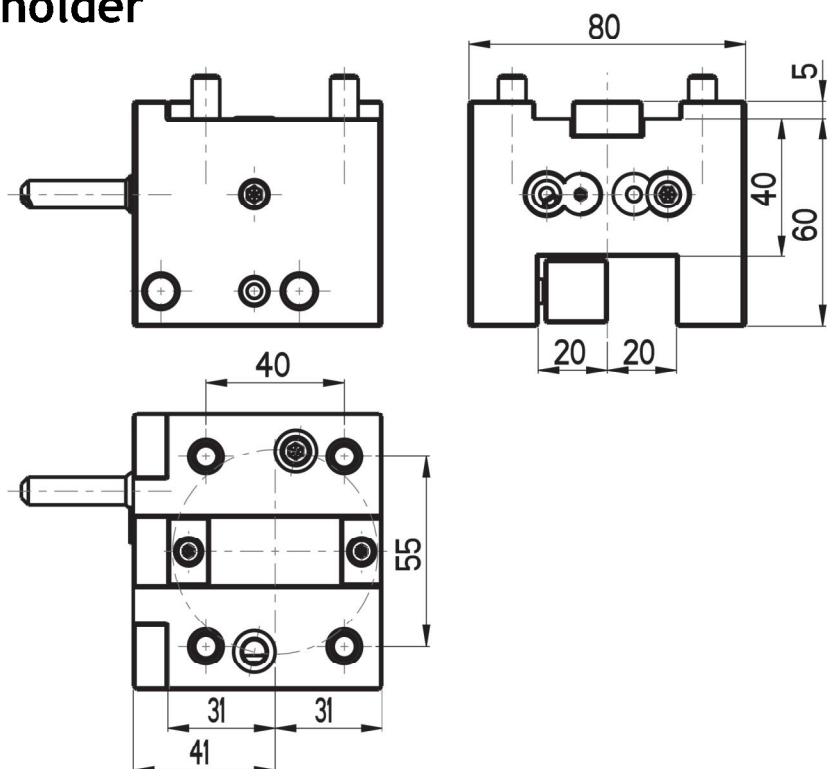
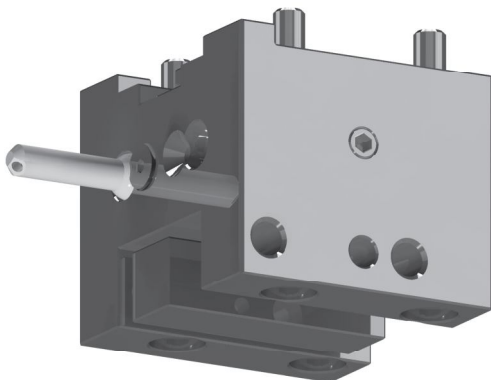
### Universal turning holder

EDS OD-44x20x62(NT)  
External cooling



### Universal turning face holder

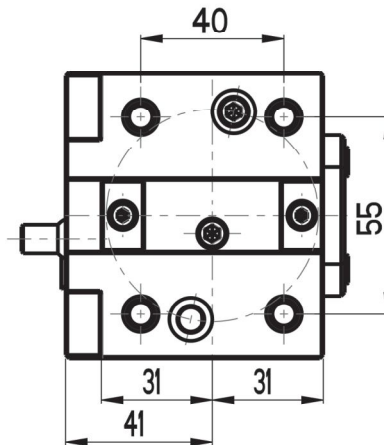
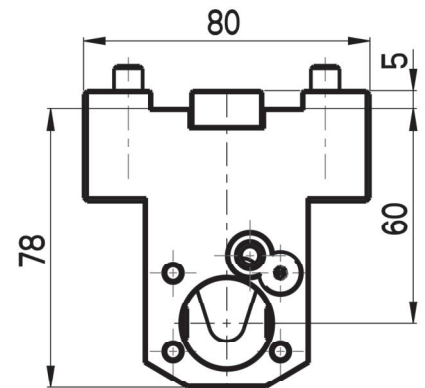
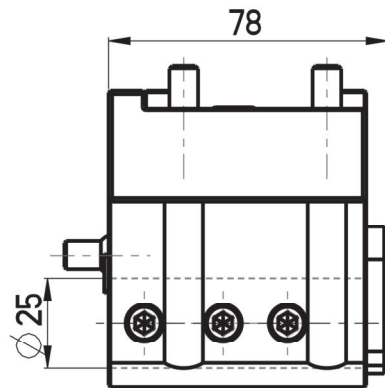
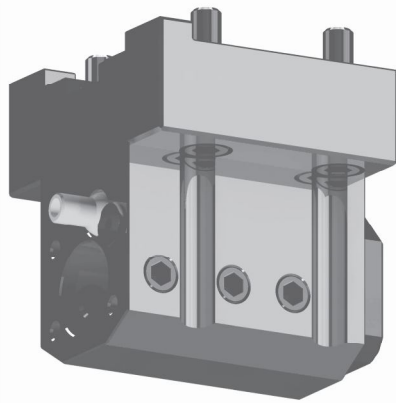
EDS F-44x20x60(NT)  
External cooling



## NAKAMURA-TOME STATIC TOOLHOLDERS BMT44

### Boring bar holder

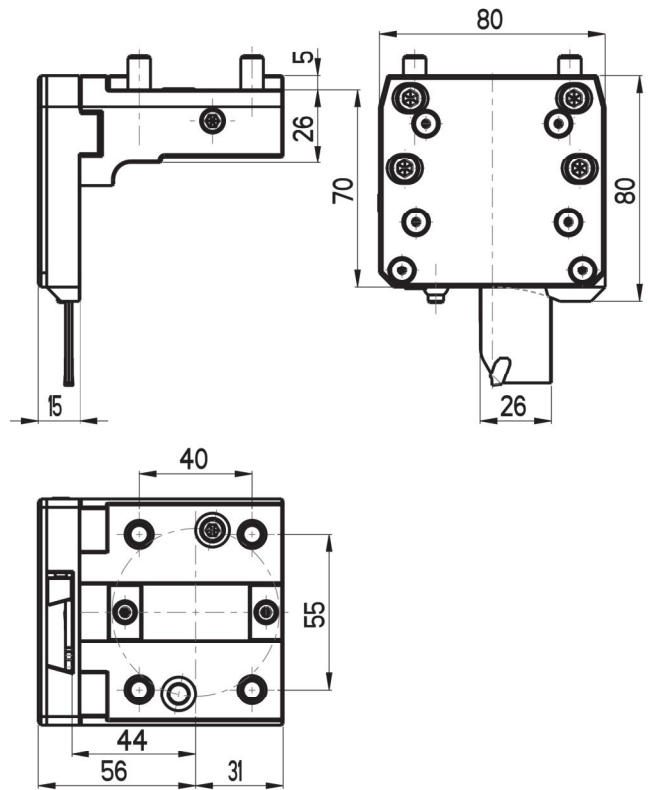
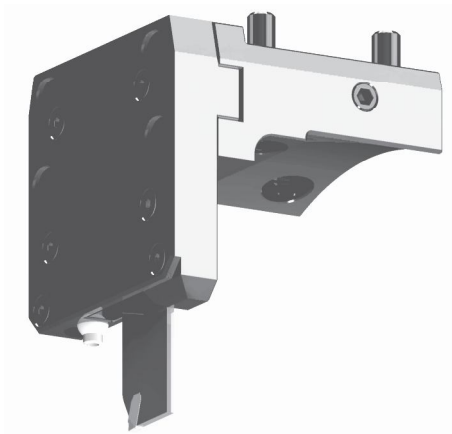
EDS ID-44x25x60(NT)  
External/Internal cooling



## NAKAMURA-TOME STATIC TOOLHOLDERS BMT44

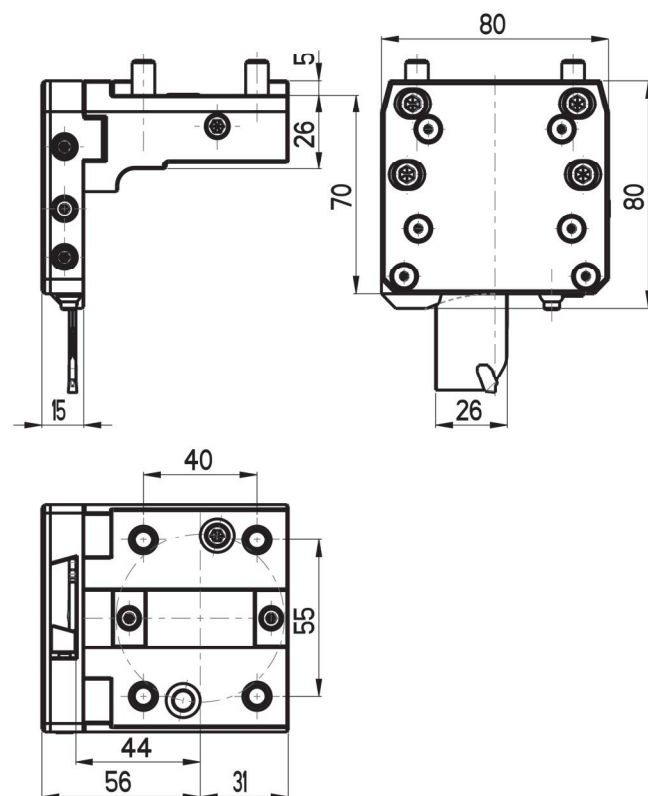
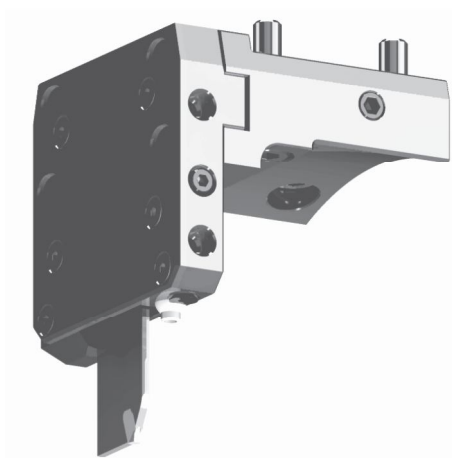
### Cut off toolholder (right)

EDS CR-44x26(NT)  
External cooling



### Cut off toolholder (left)

EDS CL-44x26(NT)  
External cooling





# **SAMTEC**

Your Partner For Innovative Tooling Solutions

## **Samtec Tools & Accessories Pvt. Ltd.**

Survey No.33/3, Behind MITCON Institute, Balewadi,  
PUNE-411 045, INDIA

Mobile: +91 9325409714,

Tel No: +91 9175105689, 7507205689

web.: [www.samtectools.com](http://www.samtectools.com)

[ashish@samtectools.com](mailto:ashish@samtectools.com)

[info@samtectools.com](mailto:info@samtectools.com)

Distributed by: